



Glasswashers
Lave-verres

S280

SPARE PARTS
PIECES DETACHEES

Ed.
02/2003

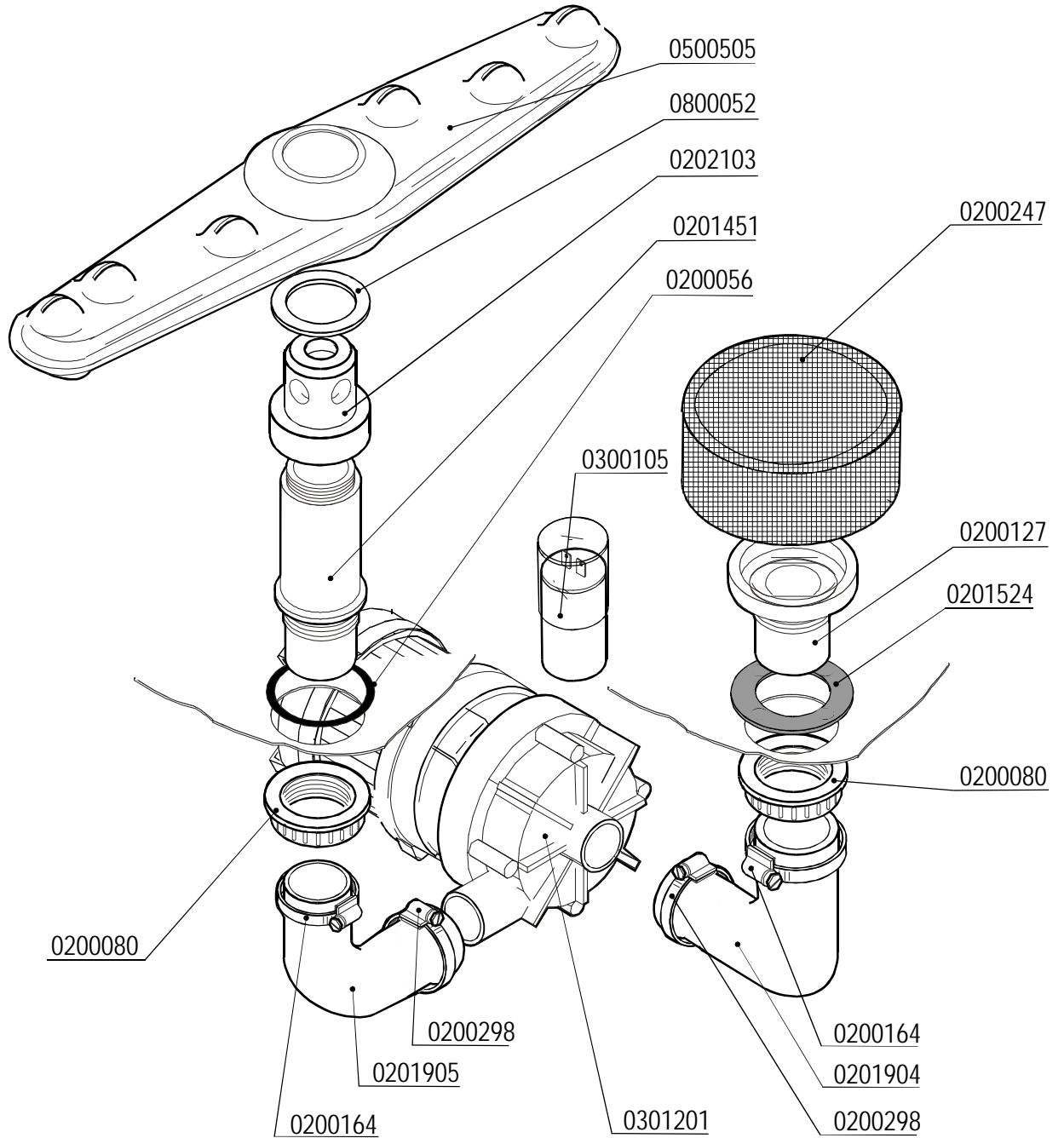
Rev. D

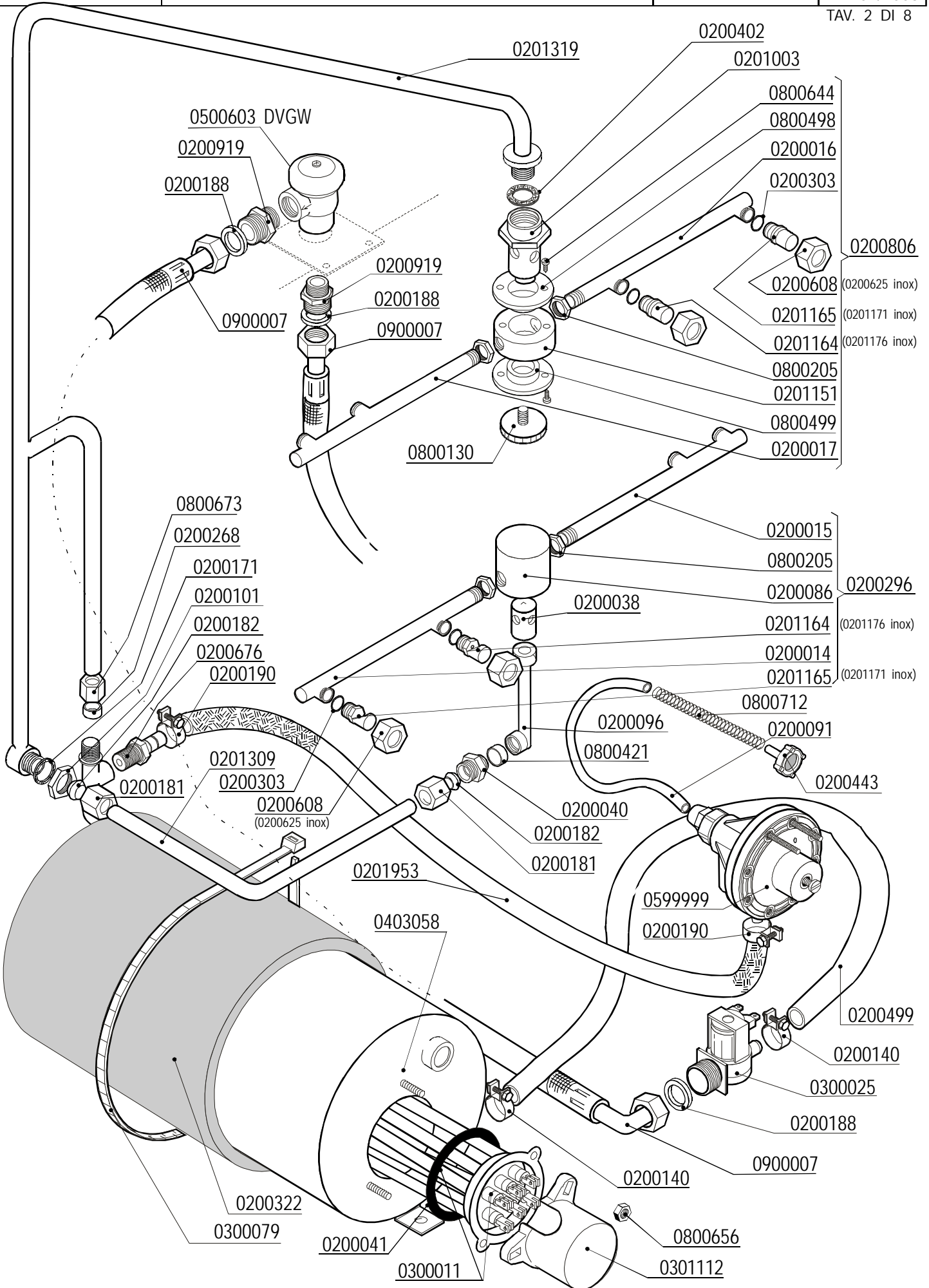


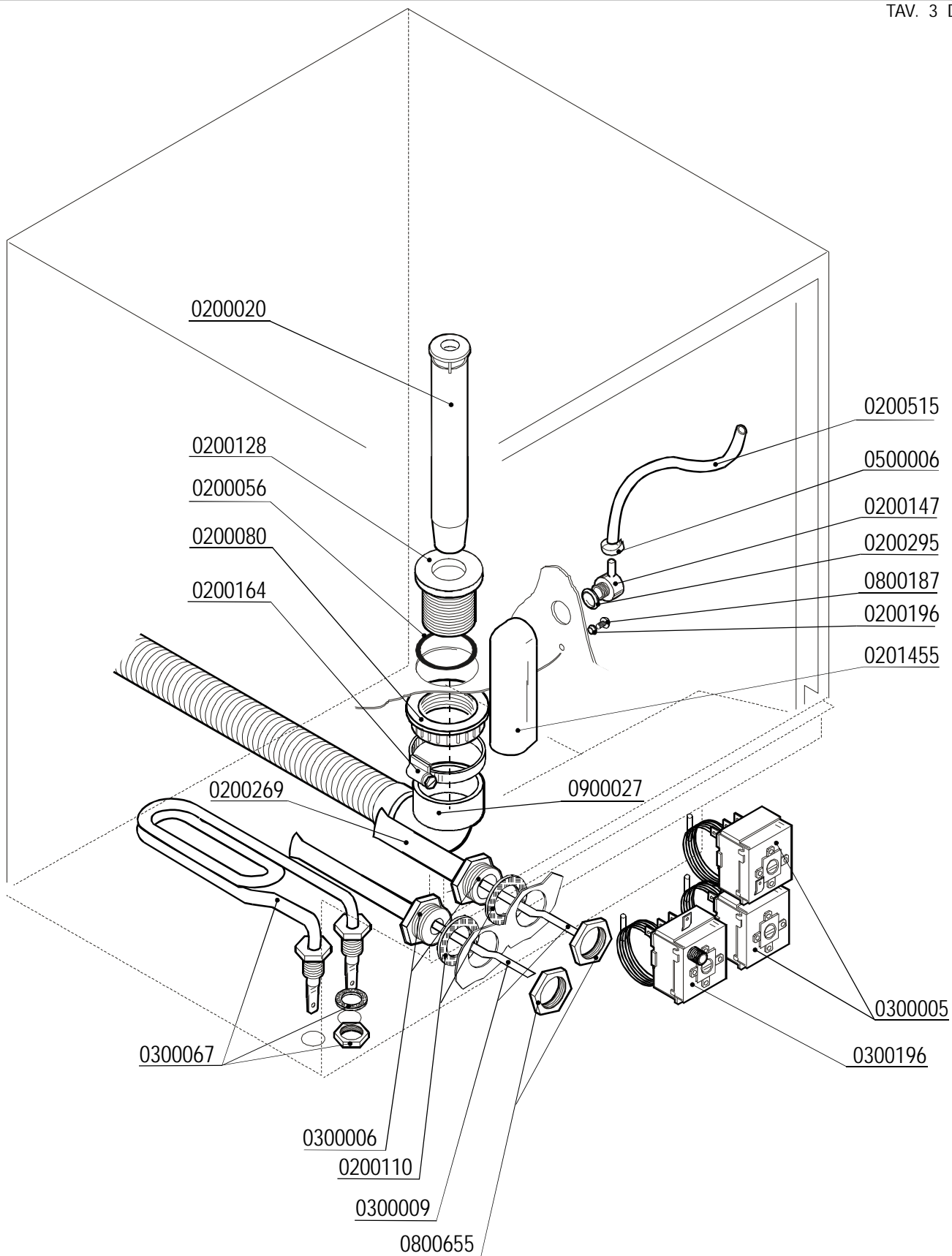
LISTED
COMMERCIAL DISHWASHERS 13CA

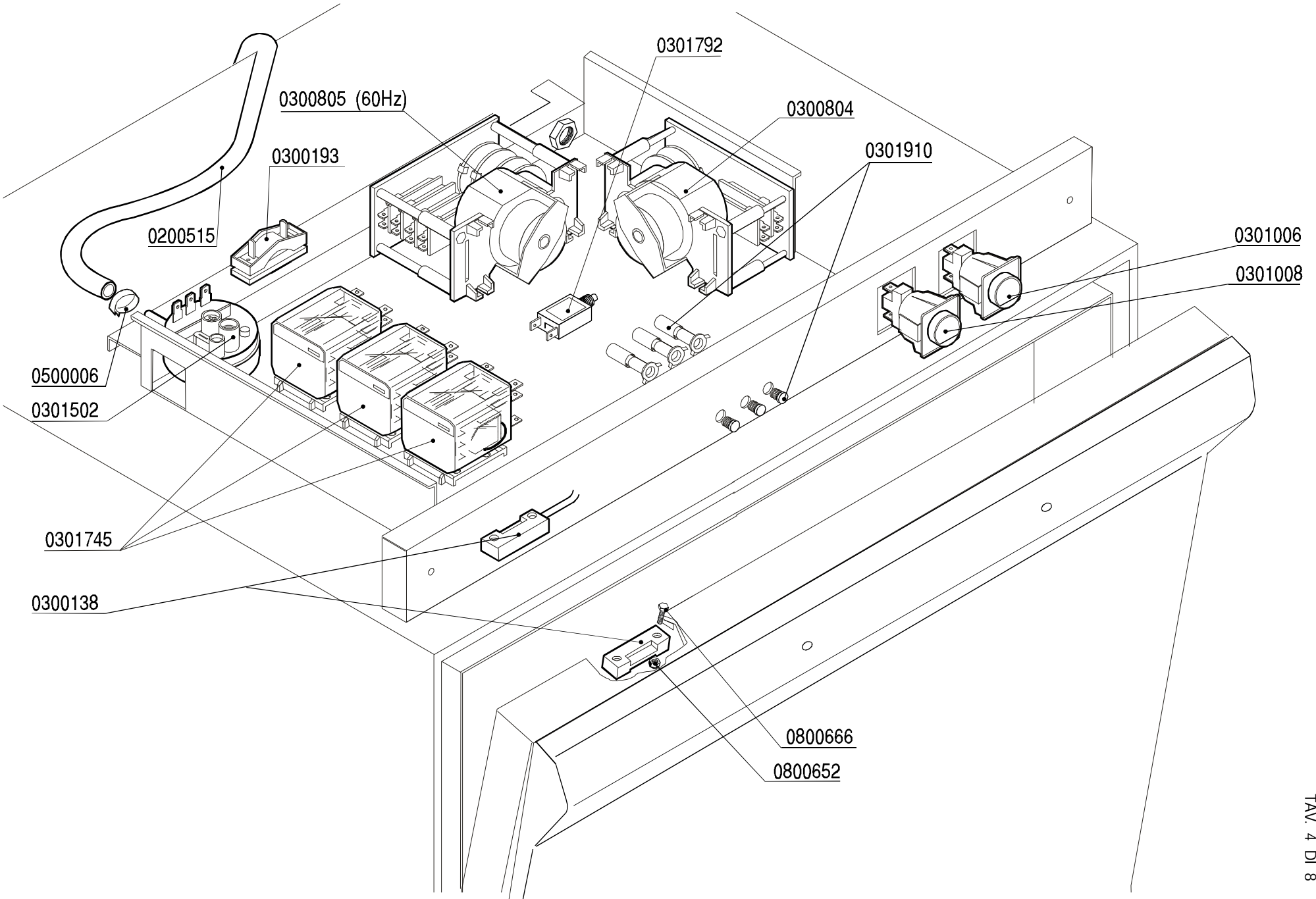


ANSI/NSF3









CONTROL BOX
TABLEAU ELECTRIQUE



MOD.
S280

TAV.
4 D

ED. 02/2003
TAV. 4 D I 8

